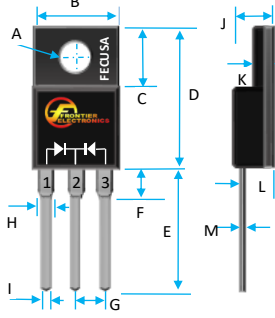


20A DUAL ULTRA FAST RECOVERY RECTIFIER



| Dim. | Value in [mm] | |
|------|---------------|--------------|
| | Min. | Max. |
| A | 0.18[3.00] | 0.134[3.40] |
| B | 0.382[9.70] | 0.404[10.26] |
| C | 0.248[6.30] | 0.272[6.91] |
| D | 0.570[14.48] | 0.610[15.49] |
| E | 0.51[12.98] | 0.543[13.79] |
| F | --- | 0.16[4.09] |
| G | 0.095[2.41] | 0.105[2.67] |
| H | --- | 0.060[1.52] |
| I | --- | 0.035[0.89] |
| J | --- | 0.189[4.80] |
| K | --- | 0.122[3.10] |
| L | 0.098[2.49] | 0.114[2.90] |
| M | --- | 0.031[0.79] |

PRODUCT FEATURES

1. FLAMMABILITY CLASSIFICATION: 94V-0
2. HIGH VOLTAGE
3. GLASS PASSIVATED CHIP JUNCTION
4. LOW FORWARD VOLTAGE DROP
5. HIGH SURGE CURRENT CAPABILITY
6. ULTRA FAST SWITCHING
7. LOW THERMAL RESISTANCE
8. CASE: TRANSFER MOLDED, ITO-220AB
9. POLARITY: AS MARKED
10. WEIGHT : 2.05 GRAMS
11. TERMINALS : PER MIL-STD-202F METHOD 2026
12. ROHS

MAXIMUM RATINGS AND ELECTRICAL CHARACTERISTICS RATINGS AT 25°C AMBIENT TEMPERATURE UNLESS OTHERWISE SPECIFIED STORAGE AND OPERATING TEMPERATURE RANGE -55°C TO + 150°C. SINGLE PHASE, HALF WAVE, 60 HZ, RESISTIVE OR INDUCTIVE LOAD. FOR CAPACITIVE LOAD, DERATE CURRENT BY 20%

| RATINGS | SYMBOL | VALUE | UNITS |
|---|--------|-------|-------|
| MAXIMUM AVERAGE FORWARD RECTIFIED CURRENT SEE FIG.1 | IO | 20 | A |
| PEAK FWD SURGE CURRENT, 8.3ms HALF SINE-WAVE SUPERIMPOSED ON RATED LOAD | IFSM | 250 | A |
| TYPICAL JUNCTION CAPACITANCE(NOTE 1) | CJ | 65 | pF |
| TYPICAL THERMAL RESISTANCE (NOTE 2) | Rqja | 2.2 | °C/W |
| MAXIMUM REVERSE CURRENT @ 25°C | IR | 10 | uA |
| MAXIMUM REVERSE CURRENT @ 100 °C | IR | 100 | uA |

1. Cj MEASURED @ 1 MHZ AND APPLIED REVERSE VOLTAGE OF 4.0 VOLTS
2. THERMAL RESISTANCE JUNCTION TO CASE PER LEG MOUNTED ON HEAT SINK
3. REVERSE RECOVERY TEST CONDITIONS: IF=0.5A, IR=1.0A, IRR=0.25A
4. MAXIMUM FORWARD VOLTAGE @ Io PER LEG

| PART NUMBER | MAX RECURRENT PK REV VOLTAGE VRRM (V) | MAX RMS VOLTAGE VRMS (V) | MAX DC BLOCKING VOLTAGE VDC (V) | MAX FWD VOLTAGE VF (V) | MAX REVERSE RECOVERY TIME nS |
|--------------|---------------------------------------|--------------------------|---------------------------------|------------------------|------------------------------|
| UFF200-005CT | 50 | 35 | 50 | 1 | 35 |
| UFF200-01CT | 100 | 70 | 100 | 1 | 35 |
| UFF200-015CT | 150 | 105 | 150 | 1 | 35 |
| UFF200-02CT | 200 | 140 | 200 | 1 | 35 |
| UFF200-03CT | 300 | 210 | 300 | 1.3 | 50 |
| UFF200-04CT | 400 | 280 | 400 | 1.3 | 50 |
| UFF200-05CT | 500 | 350 | 500 | 1.5 | 50 |
| UFF200-06CT | 600 | 420 | 600 | 1.5 | 50 |

RATING AND CHARACTERISTIC CURVES

FIG. 1-TEST CIRCUIT DIAGRAM AND REVERSE RECOVERY TIME CHARACTERISTIC

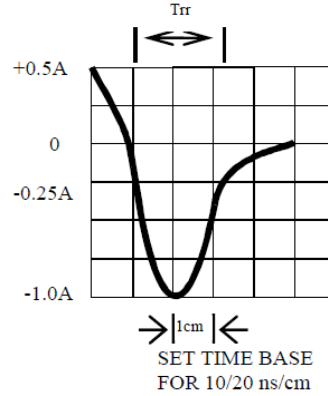
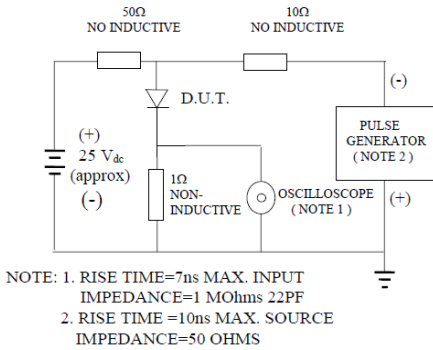


FIG. 2 -TYPICAL FORWARD CURRENT DERATING CURVE

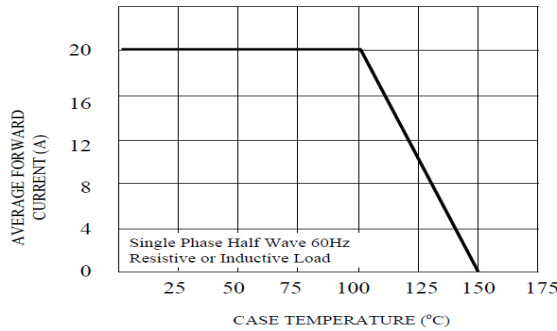


FIG. 3 -TYPICAL INSTANTANEOUS FORWARD CHARACTERISTICS

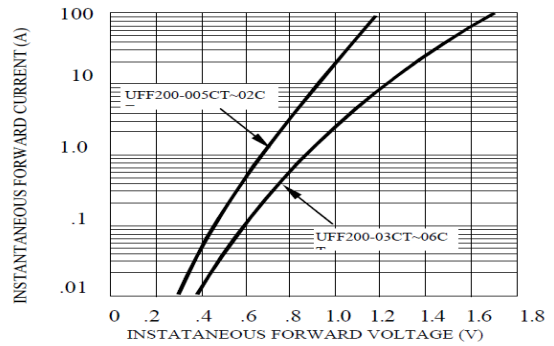


FIG. 4 -TYPICAL REVERSE CHARACTERISTICS

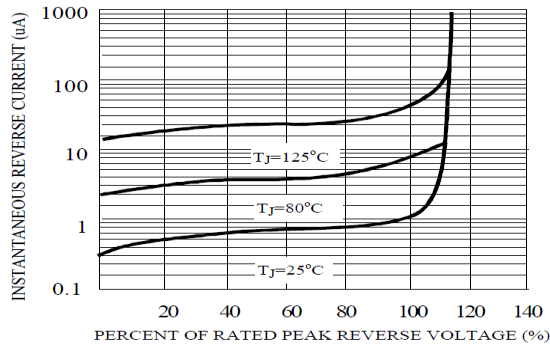


FIG. 5 -TYPICAL JUNCTION CAPACITANCE

