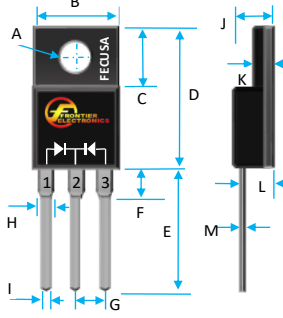


10A DUAL ULTRA FAST RECOVERY RECTIFIER



Dim.	Value in (mm)	
	Min.	Max.
A	0.18[3.00]	0.134[3.40]
B	0.382[9.70]	0.404[10.26]
C	0.248[6.30]	0.272[6.91]
D	0.570[14.48]	0.610[15.49]
E	0.51[12.98]	0.543[13.79]
F	---	0.16[4.09]
G	0.095[2.41]	0.105[2.67]
H	---	0.060[1.52]
I	---	0.035[0.89]
J	---	0.189[4.80]
K	---	0.122[3.10]
L	0.098[2.49]	0.114[2.90]
M	---	0.031[0.79]

PRODUCT FEATURES

1. FLAMMABILITY CLASSIFICATION: 94V-0
2. HIGH VOLTAGE
3. GLASS PASSIVATED CHIP JUNCTION
4. LOW FORWARD VOLTAGE DROP
5. HIGH SURGE CURRENT CAPABILITY
6. ULTRA FAST SWITCHING
7. LOW THERMAL RESISTANCE
8. CASE: TRANSFER MOLDED, ITO-220AB
9. POLARITY: AS MARKED
10. WEIGHT : 2.05 GRAMS
11. TERMINALS : PER MIL-STD-202F METHOD 2026
12. ROHS

MAXIMUM RATINGS AND ELECTRICAL CHARACTERISTICS RATINGS AT 25°C AMBIENT TEMPERATURE UNLESS OTHERWISE SPECIFIED STORAGE AND OPERATING TEMPERATURE RANGE -55°C TO + 150°C. SINGLE PHASE, HALF WAVE, 60 HZ, RESISTIVE OR INDUCTIVE LOAD. FOR CAPACITIVE LOAD, DERATE CURRENT BY 20%

RATINGS	SYMBOL	VALUE	UNITS
MAXIMUM AVERAGE FORWARD RECTIFIED CURRENT SEE FIG.1	IO	10	A
PEAK FWD SURGE CURRENT, 8.3ms HALF SINE-WAVE SUPERIMPOSED ON RATED LOAD	IFSM	125	A
TYPICAL THERMAL RESISTANCE (NOTE 2)	Rqja	2.2	°C/W
MAXIMUM REVERSE CURRENT @ 25°C	IR	10	uA
MAXIMUM REVERSE CURRENT @ 100 °C	IR	100	uA

1. Cj MEASURED @ 1 MHZ AND APPLIED REVERSE VOLTAGE OF 4.0 VOLTS
2. THERMAL RESISTANCE JUNCTION TO CASE PER LEG MOUNTED ON HEAT SINK
3. REVERSE RECOVERY TEST CONDITIONS: IF=0.5A, IR=1.0A, IRR=0.25A
4. MAXIMUM FORWARD VOLTAGE @ Io PER LEG

PART NUMBER	MAX RECURRENT PK REV VOLTAGE VRRM (V)	MAX RMS VOLTAGE VRMS (V)	MAX DC BLOCKING VOLTAGE VDC (V)	MAX FWD VOLTAGE VF (V)	TYPICAL JUNCTION CAP CJ (PF)	MAX REVERSE RECOVERY TIME nS
UFF100-005CT	50	35	50	1.1	85	35
UFF100-01CT	100	70	100	1.1	85	35
UFF100-015CT	150	105	150	1.1	85	35
UFF100-02CT	200	140	200	1.1	85	35
UFF100-03CT	300	210	300	1.3	85	35
UFF100-04CT	400	280	400	1.3	85	35
UFF100-05CT	500	350	500	1.5	60	50
UFF100-06CT	600	420	600	1.5	60	50

RATING AND CHARACTERISTIC CURVES

FIG. 1-TEST CIRCUIT DIAGRAM AND REVERSE RECOVERY TIME CHARACTERISTIC

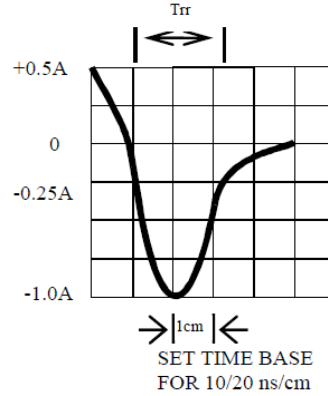
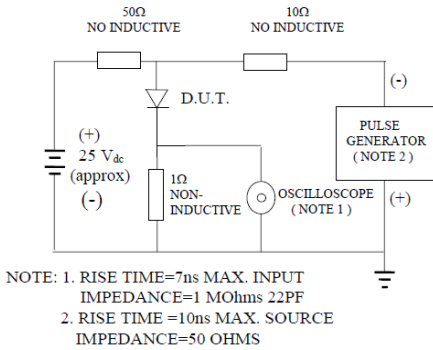


FIG. 2 -MAXIMUM FORWARD CURRENT DERATING CURVE

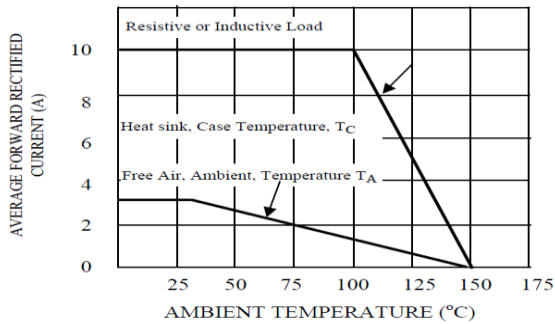


FIG. 3 -TYPICAL INSTANTANEOUS FORWARD CHARACTERISTICS

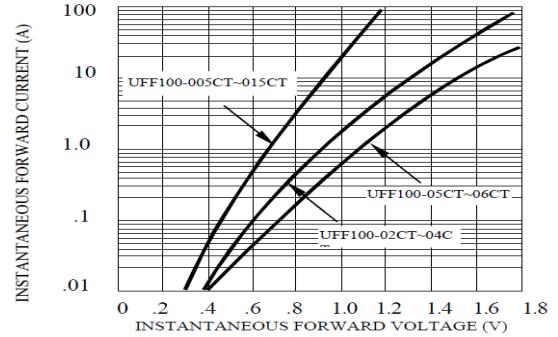


FIG. 4 -TYPICAL REVERSE CHARACTERISTICS

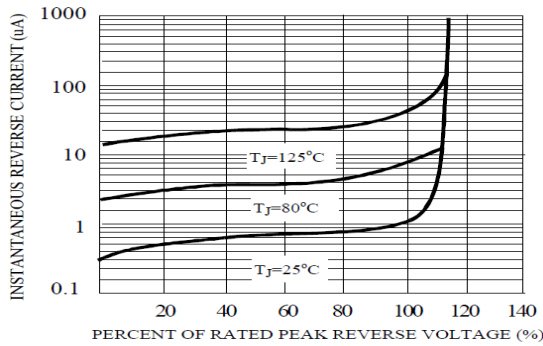


FIG. 5 -TYPICAL JUNCTION CAPACITANCE

