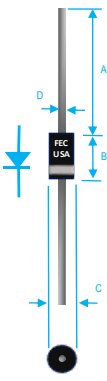


## 1A FAST RECOVERY PLASTIC RECTIFIER

 <table border="1" style="margin-left: auto; margin-right: auto;"> <thead> <tr> <th rowspan="2">Dim.</th> <th colspan="2">Value In (mm)</th> </tr> <tr> <th>Min.</th> <th>Max.</th> </tr> </thead> <tbody> <tr> <td>A</td> <td>1.000[25.40]</td> <td>—</td> </tr> <tr> <td>B</td> <td>0.166[4.23]</td> <td>0.205[5.21]</td> </tr> <tr> <td>C</td> <td>0.080[2.03]</td> <td>0.107[2.72]</td> </tr> <tr> <td>D</td> <td>0.028[0.71]</td> <td>0.034[0.86]</td> </tr> </tbody> </table>	Dim.	Value In (mm)		Min.	Max.	A	1.000[25.40]	—	B	0.166[4.23]	0.205[5.21]	C	0.080[2.03]	0.107[2.72]	D	0.028[0.71]	0.034[0.86]	<b>PRODUCT FEATURES</b> <ol style="list-style-type: none"> <li>1. FLAMMABILITY CLASSIFICATION: 94V-0</li> <li>2. GLASS PASSIVATED CHIP JUNCTION</li> <li>3. FAST SWITCHING FOR HIGH EFFICIENCY</li> <li>4. CASE: MOLDED PLASTIC CASE, DO41</li> <li>5. DIMENSIONS IN INCHES AND (MILLIMETERS)</li> <li>6. POLARITY: INDICATED BY CATHODE BAND</li> <li>7. WEIGHT : 0.34 GRAMS</li> <li>8. TERMINALS : PER MIL-STD-202, METHOD 208</li> <li>9. PULLING TEST: 2.3 KG</li> <li>10. ROHS</li> </ol>
Dim.		Value In (mm)																
	Min.	Max.																
A	1.000[25.40]	—																
B	0.166[4.23]	0.205[5.21]																
C	0.080[2.03]	0.107[2.72]																
D	0.028[0.71]	0.034[0.86]																

MAXIMUM RATINGS AND ELECTRICAL CHARACTERISTICS RATINGS AT 25°C AMBIENT TEMPERATURE UNLESS OTHERWISE SPECIFIED STORAGE AND OPERATING TEMPERATURE RANGE -55°C TO + 150°C. SINGLE PHASE, HALF WAVE, 60 HZ, RESISTIVE OR INDUCTIVE LOAD. FOR CAPACITIVE LOAD, DERATE CURRENT BY 20%

RATINGS	SYMBOL	VALUE	UNITS
MAXIMUM AVERAGE FORWARD RECTIFIED CURRENT 0.375"(9.5mm) LEAD LENGTH @ 55°C	IO	1	A
PEAK FWD SURGE CURRENT, 8.3ms HALF SINE-WAVE SUPERIMPOSED ON RATED LOAD	IFSM	35	A
TYPICAL JUNCTION CAPACITANCE(NOTE 1)	CJ	15	pF
TYPICAL THERMAL RESISTANCE (NOTE 2)	Rqja	50	°C/W
MAXIMUM FORWARD VOLTAGE	VF	1.3	V
MAXIMUM REVERSE CURRENT @ 25°C	IR	5	uA
MAXIMUM REVERSE CURRENT @ 100°C	IR	50	uA

1. MEASURED @ 1 MHZ AND APPLIED REVERSE VOLTAGE OF 4.0 VOLTS
2. BOTH LEADS ATTACHED TO HEAT SINK 20x20x1t (mm) COPPER PLATE @ LEAD LENGTH 5mm
3. MAXIMUM FORWARD VOLTAGE AT Io DC

PART NUMBER	MAX RECURRENT PK REV VOLTAGE VRRM (V)	MAX RMS VOLTAGE VRMS (V)	MAX DC BLOCKING VOLTAGE VDC (V)	MAX REV RECOVERY TIME TRR (nS)
BA157	400	280	400	150
BA158	600	420	600	250
BA159	1000	700	1000	250

## RATING AND CHARACTERISTIC CURVES

FIG. 1-TEST CIRCUIT DIAGRAM AND REVERSE RECOVERY TIME CHARACTERISTIC

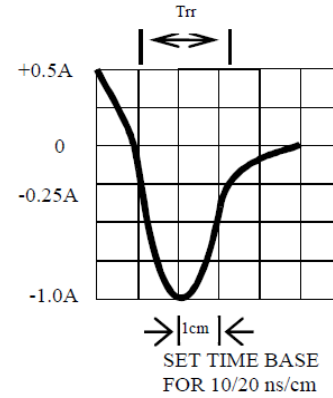
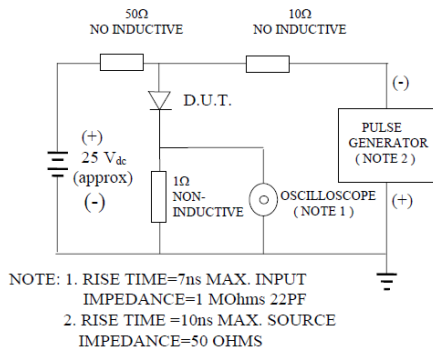


Fig. 2-MAXIMUM CURRENT DERATING CURVE

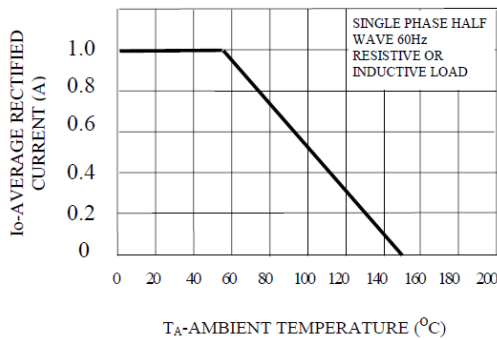


Fig. 3-MAXIMUM FORWARD SURGE NUMBER OF CYCLES

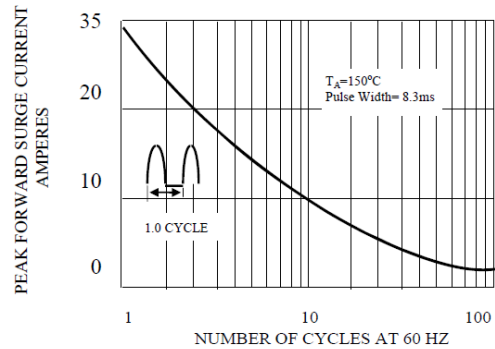


FIG. 4-TYPICAL REVERSE CHARACTERISTICS

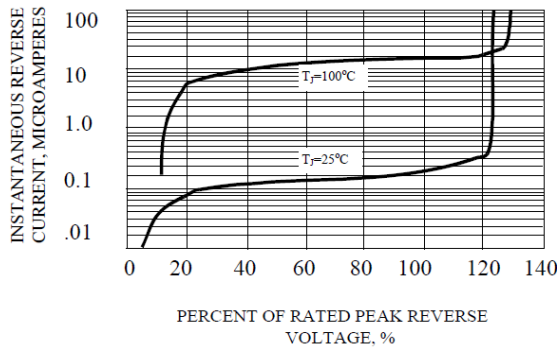


FIG. 5-TYPICAL INSTANTANEOUS FORWARD CHARACTERISTICS

