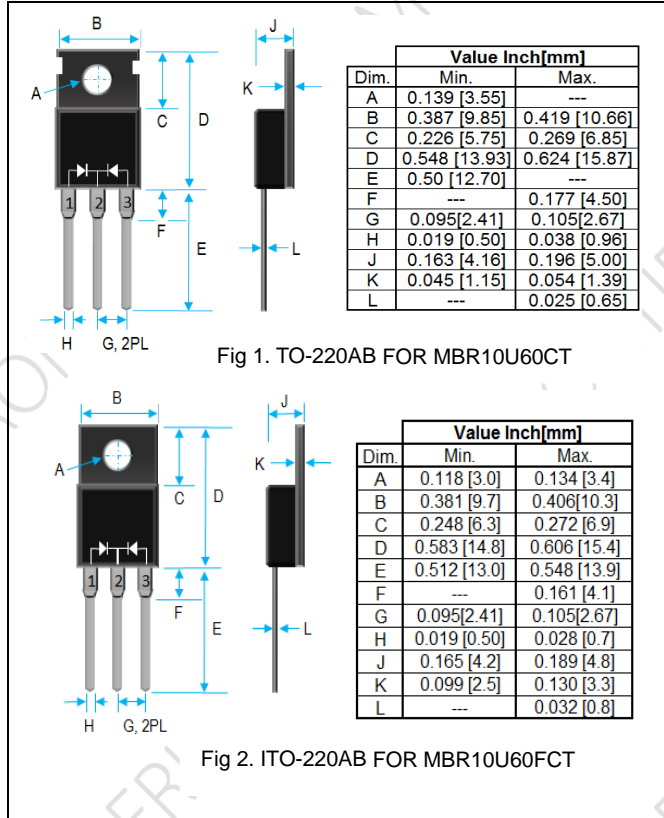


10A ULTRA LOW V_F TRENCH MOS SCHOTTKY RECTIFIERS



PRODUCT FEATURES

1. FLAMMABILITY CLASSIFICATION 94V-0
2. EXTREMELY LOW V_F
3. TRENCH MOS SCHOTTKY TECHNOLOGY
4. LOW POWER LOSS / HIGH EFFICIENCY
5. HIGH FREQUENCY OPERATION
6. CASE: TRANSFER MOLDED
TO-220AB FOR MBR10U60CT
ITO-220AB FOR MBR10U60FCT
7. DIMENSIONS IN INCHES AND (MILLIMETERS)
8. LEADS: SOLDERABILITY PER MIL-STD-202 METHOD 208
9. WEIGHT: 2.15 GRAMS (TO-220AB)
1.55 GRAMS (ITO-220AB)
10. RoHS/HALOGEN FREE

ELECTRICAL CHARACTERISTICS

MAXIMUM RATINGS ($T_A = 25^\circ\text{C}$ UNLESS OTHERWISE NOTED) AND ELECTRICAL CHARACTERISTICS

RATING	SYMBOL		UNITS
MAXIMUM RECURRENT PEAK REVERSE VOLTAGE	V_{RRM}	60	VDC
MAXIMUM RMS VOLTAGE	V_{RMS}	42	VAC
MAXIMUM DC BLOCKING VOLTAGE	V_{DC}	60	VDC
MAXIMUM AVERAGE FORWARD RECTIFIED CURRENT SEE FIG.1	I_o	10 (PER DEVICE) 5 (PER LEG)	A
PEAK FORWARD SURGE CURRENT, 8.3ms SINGLE HALF SINE-WAVE SUPERIMPOSED ON RATED LOAD PER LEG	I_{FSM}	125	A
STORAGE TEMPERATURE RANGE	T_{STG}	- 55 TO +175	$^\circ\text{C}$
OPERATING TEMPERATURE RANGE	T_J	- 55 TO +150	$^\circ\text{C}$
MAXIMUM FORWARD VOLTAGE AT $I_F = 5A$ $T_J = 25^\circ\text{C}$ $T_J = 125^\circ\text{C}$ $I_F = 10A$ $T_J = 25^\circ\text{C}$ $T_J = 125^\circ\text{C}$	V_F	0.50 0.46 0.60 0.58	V
MAXIMUM REVERSE CURRENT AT 25°C , PER LEG (NOTE 1)	I_R	0.1	mA
MAXIMUM REVERSE CURRENT AT 125°C , PER LEG (NOTE 1)	I_R	15	mA
TYPICAL THERMAL RESISTANCE JUNCTION TO CASE PER LEG	$R_{\theta jc}$	MBR10U60CT: 2.2 MBR10U60FCT: 4.0	$^\circ\text{C/W}$
ISOLATION VOLTAGE FROM TERMINAL TO HEATSINK $T=1\text{MIN}$		1500 (FOR MBR10U60FCT)	VAC

NOTE : 1. PULSE TEST: 300 μs PULSE WIDTH, 1% DUTY CYCLE.

RATINGS AND CHARACTERISTIC CURVES

FIG. 1-FORWARD CURRENT DERATING CURVE

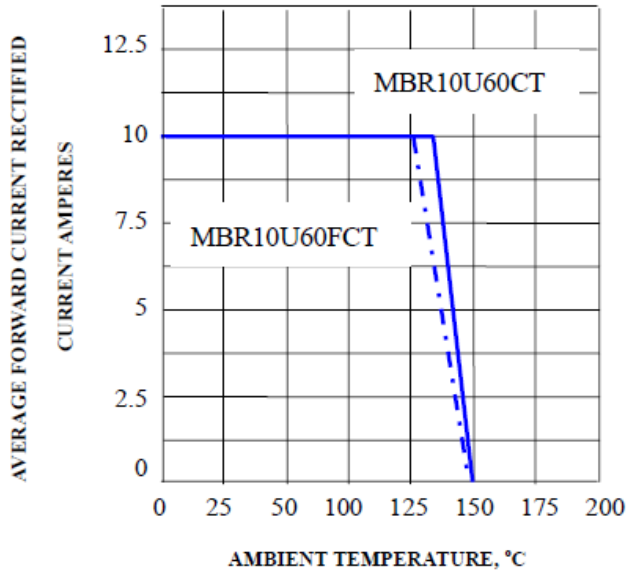


FIG. 2-MAXIMUM NON-REPETITIVE PEAK FORWARD SURGE RATING

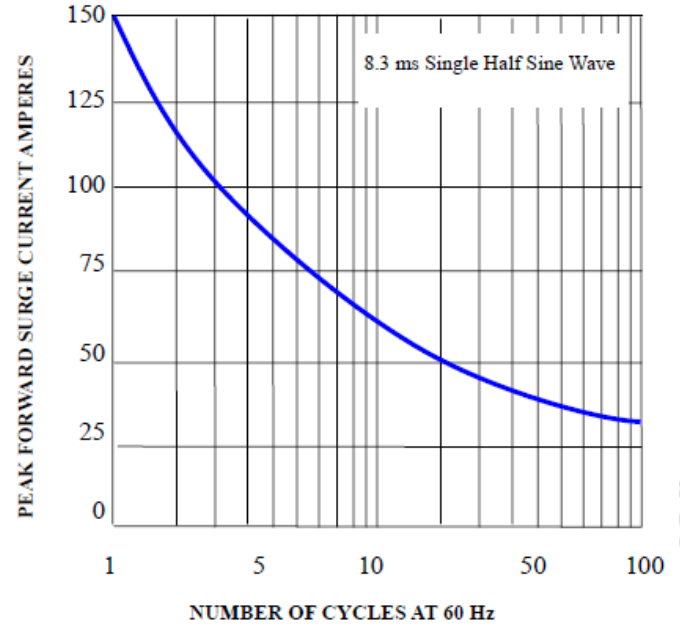


FIG. 3- TYPICAL REVERSE CHARACTERISTICS

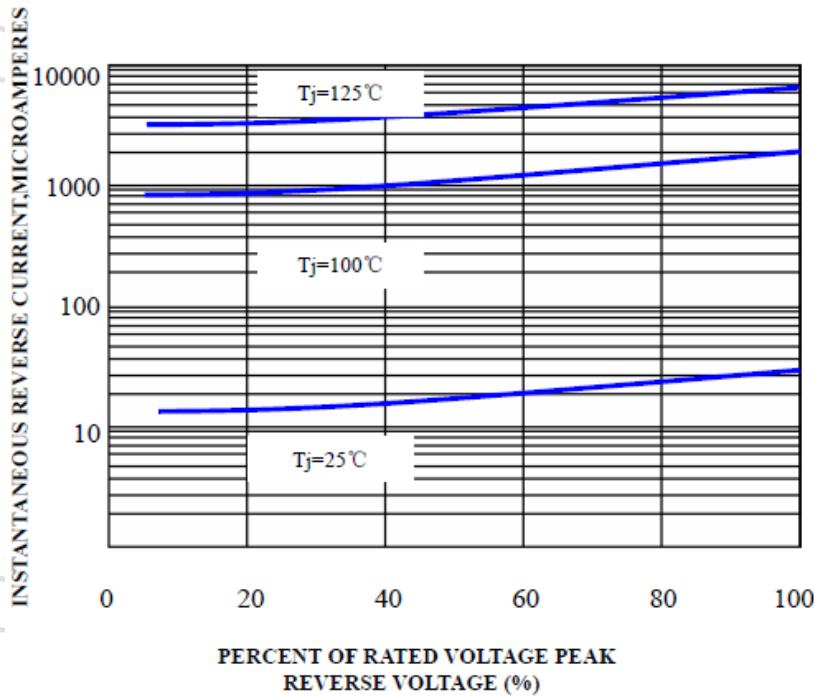


FIG. 4- TYPICAL INSTANTANEOUS FORWARD CHARACTERISTICS

