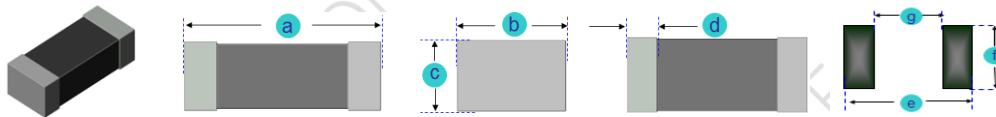


A. Electrical Specifications:

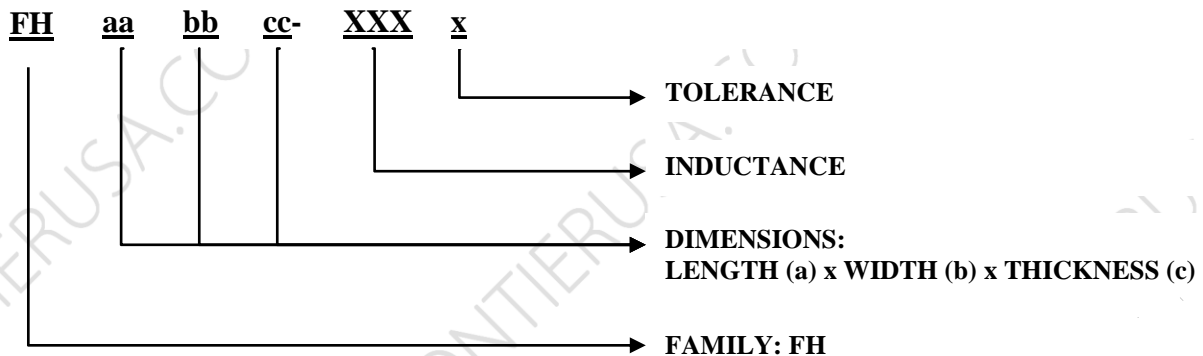
P/N	L (uH)	Tol.	Test Freq. (MHz)	DCR Max. (Ω)	Rated Current Max. (A)
FH201210-1R0M	1.0	M	1	0.20	1.0
FH201210-1R5M	1.5	M	1	0.23	0.9
FH201210-2R2M	2.2	M	1	0.23	0.9
FH201210-3R3M	3.3	M	1	0.25	0.8
FH201210-4R7M	4.7	M	1	0.30	0.6
FH201610-1R0M	1.0	M	1	0.12	1.3
FH201610-1R5M	1.5	M	1	0.12	1.3
FH201610-2R2M	2.2	M	1	0.14	1.2
FH201610-3R3M	3.3	M	1	0.18	1.0
FH201610-4R7M	4.7	M	1	0.23	0.9
FH252010-1R0M	1.0	M	1	0.11	1.5
FH252010-1R5M	1.5	M	1	0.12	1.4
FH252010-2R2M	2.2	M	1	0.14	1.3
FH252010-3R3M	3.3	M	1	0.18	1.2
FH252010-4R7M	4.7	M	1	0.23	1.0
FH252010-6R8M	6.8	M	1	0.25	0.9
FH252010-100M	10.0	M	1	0.30	0.8

B. Dimensions: mm (Inch)

Series	a	b	c	d	e	f	g
FH201210	2.0(0.079)	1.25(0.049)	1.0(0.039)	0.5(0.020)	2.8(0.11)	1.6(0.063)	0.60(0.024)
Tol.	± 0.2(0.008)	± 0.2(0.008)	Max.	± 0.3(0.012)	± 0.2(0.008)	± 0.2(0.008)	± 0.2(0.008)
FH201610	2.0(0.079)	1.6(0.063)	1.0(0.039)	0.5(0.020)	2.8(0.11)	2.1(0.083)	0.60(0.024)
Tol.	± 0.2(0.008)	± 0.2(0.008)	Max.	± 0.3(0.012)	± 0.2(0.008)	± 0.2(0.008)	± 0.2(0.008)
FH252010	2.5(0.098)	2.0(0.0787)	1.0(0.039)	0.5(0.020)	3.4(0.134)	2.5(0.098)	1.0(0.039)
Tol.	± 0.2(0.008)	± 0.2(0.008)	Max.	± 0.3(0.012)	± 0.2(0.008)	± 0.2(0.008)	± 0.2(0.008)



C. Part Number Key:



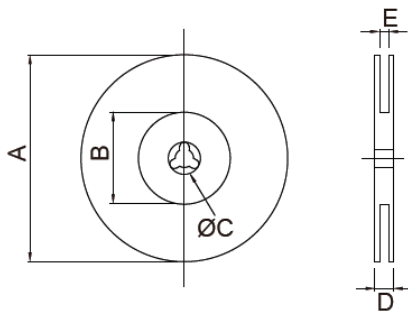
D. General Information

1. P/N: FHaabbc-XXXx, "FHaabbc" =Size Type, "XXX" = Inductance, "x" = Tolerance.
2. Tolerance "x" : M= ± 20%
3. Operating temperature: -40°C to +85°C
4. Storage temperature: -40°C to +85°C
5. Inductance using HP4285A.
6. DCR measured using 16502 milli-ohm meter.
7. Rated current: The value of current at which the temperature of the element is increased within 40°C (at Ta: 20°C)
8. MSL: Level 1.

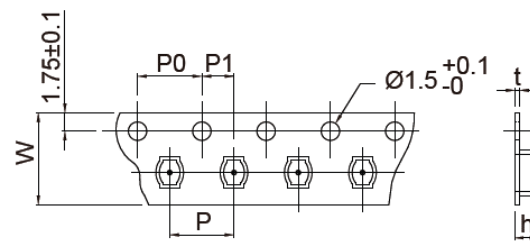
E. Supplementary Information:

1. Packaging Information

CARRIER TAPE REELS



TAPE DIMENSIONS (mm)



Plastic

Series P/N	Reel dimensions (mm)					Tape dimensions (mm)						Parts per reel		Quantity per	
	A	B	C	D	E	W	P	P0	P1	h	t	7"	13"	Box	Carton
FH201210	178	60	13	12	9	8	4	4	2	1.35	0.22	3,000	---	---	15,000

2. RoHS Reflow Solder Profile

Typical RoHS Reflow Profile

